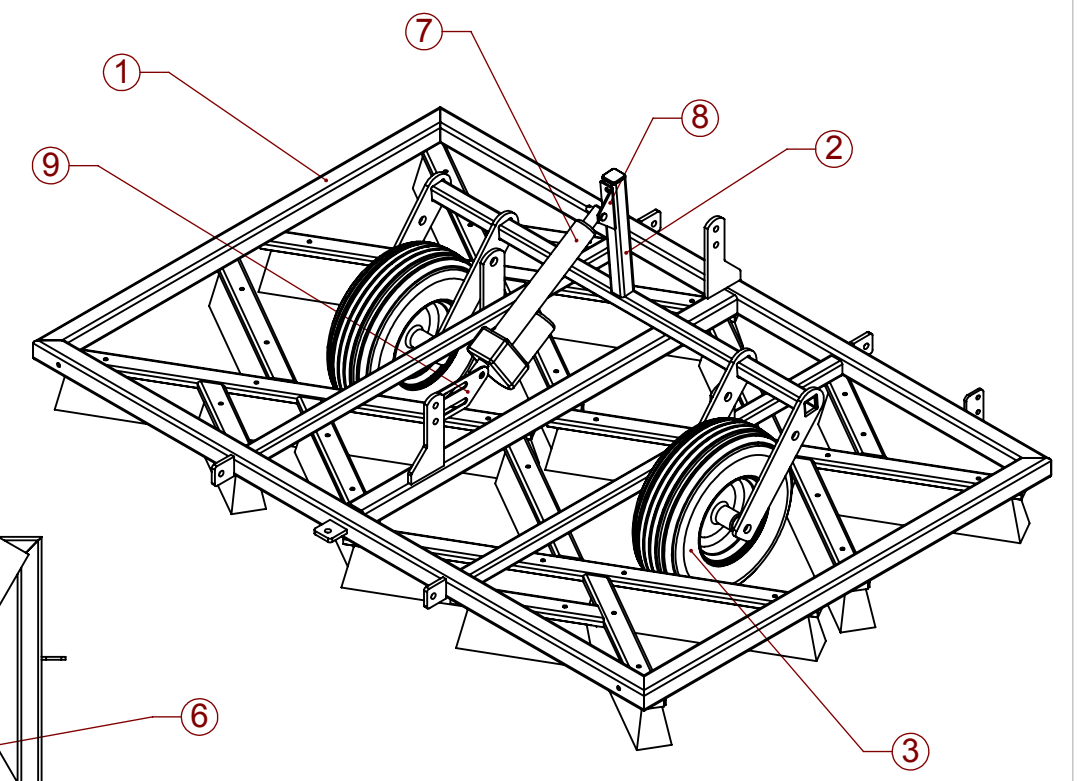
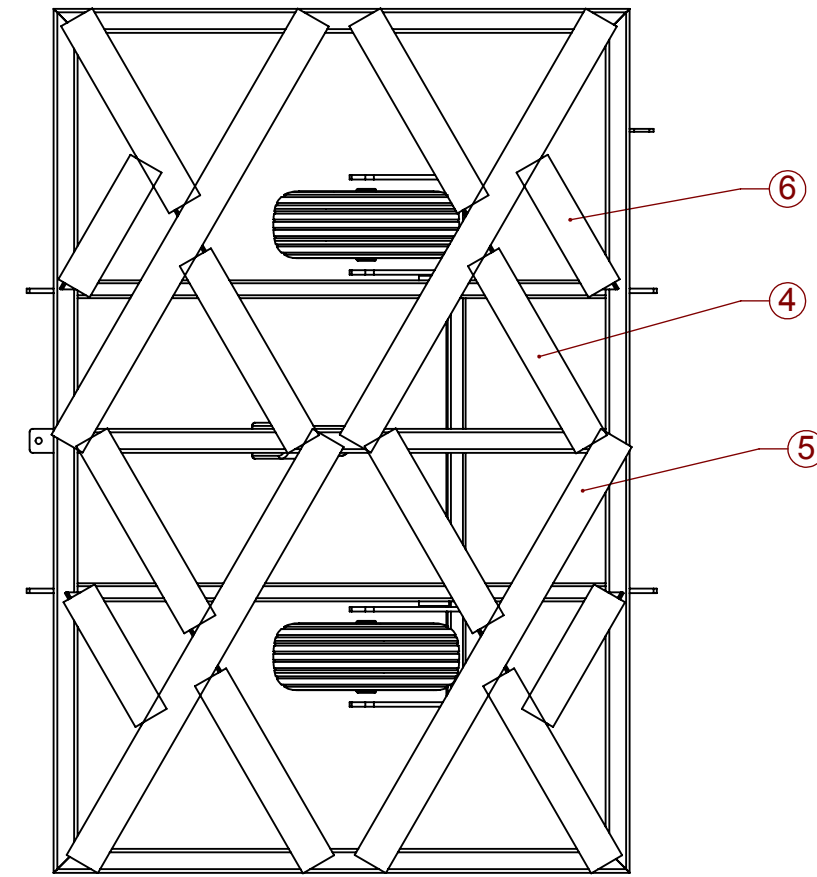
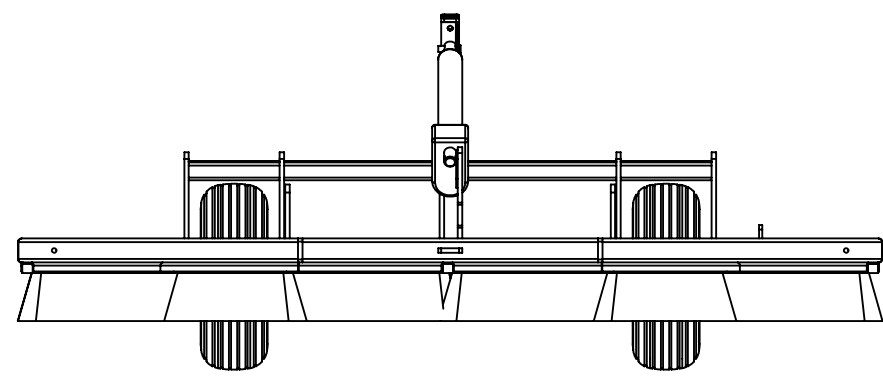
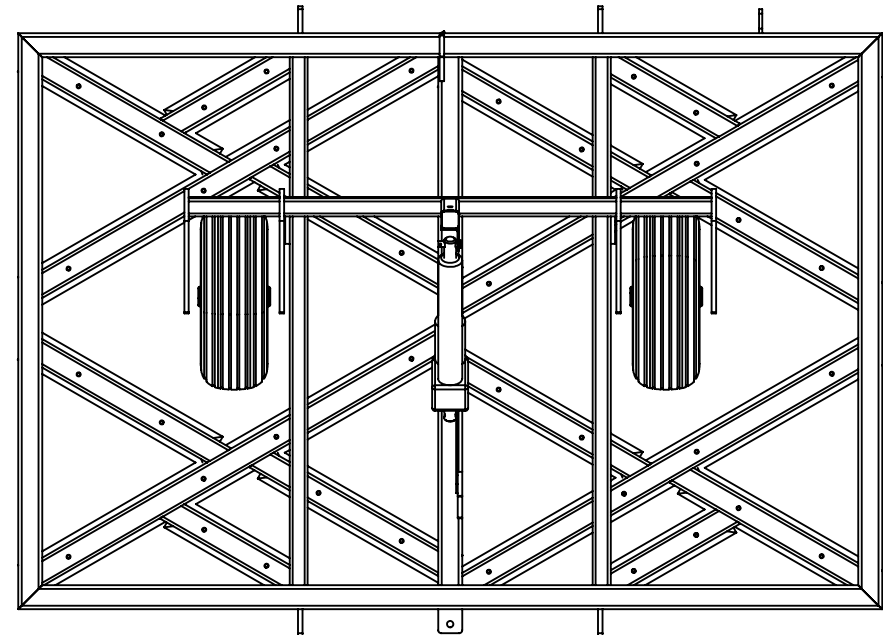


NOTES:  
 1. MATERIAL:  
 2. WEIGHT: 350.522 LB

ITEM NO.	PART #	NAME	QTY.
1	9201	GREENSGROOMER 920 WELDMENT	1
2	9220	WHEEL LIFT WELDMENT 920	1
3	TWB	15 IN WHEEL	2
4	230186	18" BLUE SUPERDUTY BRUSH	8
5	230416	41" BLUE SUPERDUTY BRUSH	4
6	230126	12" BLUE SUPERDUTY BRUSH	4
7	ACT	8 IN ACTUATOR	1
8	7270	UPPER CYLINDER MOUNT	1
9	IAB	WELDMENT IAB	1

920 SDE



REV	ECN	DESCRIPTION	DATE	BY
A		FOR REVIEW	02/05/13	JRH

DIMENSIONS AND TOLERANCES PER ASME Y14.5M-1994  
 ALL DIMENSIONS IN INCHES UNLESS SPECIFIED OTHERWISE

PROPRIETARY INFORMATION  
 DO NOT SCALE DRAWING

MATERIAL See Note 1	SCALE: 1:16	CONFIDENTIAL - PROPERTY OF GREENSGROOMER WORLDWIDE, INC. <b>GreensGroomer WorldWide, Inc.</b> INDIANAPOLIS INDIANA U.S.A. The Total Turf Conditioning Company
FINISH *	DATE: 02/05/13	
USED ON NP	DWG. BY: R. HANSON CKD. BY: M. DAVIS	NAME: <b>GreensGroomer XL Assembly</b>
TOLERANCES UNLESS SPECIFIED OTHERWISE: DEC. .X=±.060 .XX=±.030 .XXX=±.015 ANG ±1° BURRS .003 MAX, BREAK ALL SHARP CORNERS .005R. MAX. OR .005 MAX. x 45° CHAMFER	SIZE <b>B</b>	DWG. NO.: <b>920</b>
LAST EDITED: Sunday, February 10, 2013 10:53:23 PM by Rick FILE NAME: 920		REV <b>A</b>

A

B

C

D

E

G